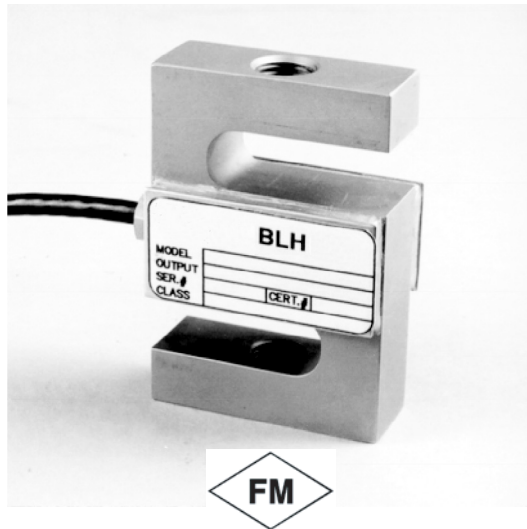


## Stainless Steel S-Type Load Cells



### FEATURES

- Capacity range: 50 to 20K lb (22.7 to 9K kg)
- Designed for single or multiple load cell applications
- Constructed with quality 17-4 stainless-steel
- Integral 20-foot cable for maximum mounting flexibility
- Sealed to IP67 standards
- Tension and compression measurement
- FM Approval

### DESCRIPTION

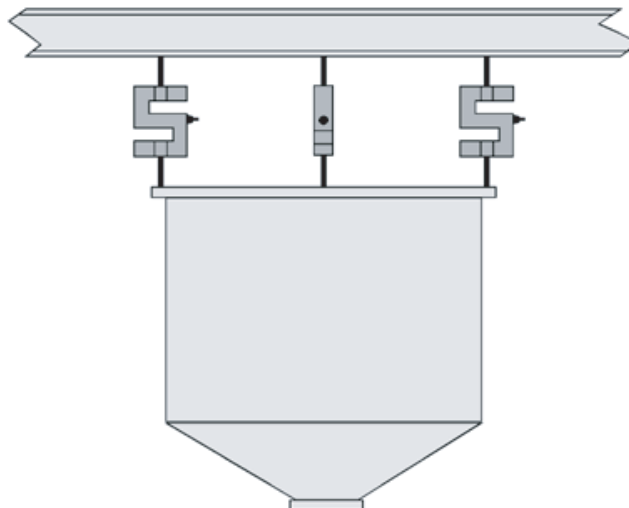
U3SB-B S-Type Load Cells quickly and cost-effectively convert any tank, bin, or hopper into a weighing scale system. The compact size of the U3SB-B makes it ideal for applications where space is at a premium. These stainless steel units stand up to washdown, rain, and other environmental challenges typically found in the food, pharmaceutical, and chemical industries.

The U3SB-B is available in sixteen capacities from 50 to 20K pounds. Each cell has a 20-foot, four conductor cable for maximum flexibility in mounting and positioning.

### APPLICATIONS

- Bin and hopper weighing systems
- Mechanical scale conversion
- Tension force measurement
- OEM scale construction
- Truck scale conversions
- Level and inventory measurement

### CONFIGURATION



### SPECIFICATIONS

#### Performance

Rated Capacities (lb)	50, 100, 150, 250, 300, 500, 750 1K, 1.5K, 2K, 2.5K, 3K, 5K, 10K, 15K, and 20K lb
Rated Output (R.O.)	3.0 mV/V $\pm$ 0.25%
Repeatability	0.01% R.O.
Combined Error	0.05% R.O.
Zero Balance	1% R.O.
Creep (20 minutes)	0.03% R.O.
Temperature Effects (compensated range):	
On Zero Balance	0.0014% R.O./°F
On Span	0.0025% Load/°F

#### Electrical

Recommended Excitation	10Vdc (15Vdc max.)
Input Resistance	343 - 450 ohms
Output Resistance	349 - 355 ohms
Cable Connection	20-ft, 4-conductor shielded cable

#### Temperature

Storage Range	-65 to +185°F
Operating Range	0 to +150°F
Compensated Range	+14 to +104°F

#### Adverse Load Ratings

Safe Overload	150% rated capacity
Ultimate Overload	300% rated capacity

#### Material

Material	17-4 stainless steel
Cable Fitting	stainless steel

#### Sealing

Environmental Class	IP67
---------------------	------

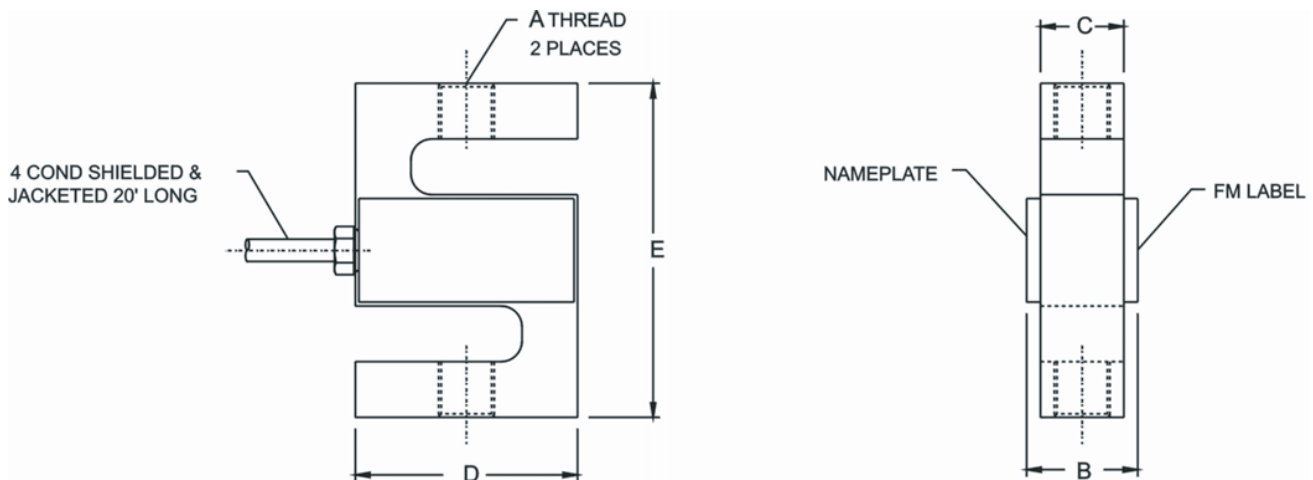
#### Deflection

50 - 150 lb	0.010 - 0.015 inches
250 - 300 lb	0.010 inches
500 - 1.5K lb	0.010 - 0.012 inches
2K - 3K lb	0.012 inches
5K lb	0.017 inches
10K - 20K lb	0.025 inches

#### Approvals

FM (Factory Mutual)	Class I, II, III; Div 1, 2 Groups A-G
---------------------	--

### OUTLINE DIMENSIONS



WIRING	
FUNCTION	COLOR
+EXCITATION	RED
-EXCITATION	BLACK
+OUTPUT	GREEN
-OUTPUT	WHITE

CAPACITY (lbs)	A	B	C	D	E
50-150	1/4-28 UNF-2B	.65	.50	2.00	2.50
250-300	3/8-24 UNF-2B	.75	.50	2.00	3.00
500-1.5K	1/2-20 UNF-2B	1.00	.75	2.00	3.00
2K-3K	1/2-20 UNF-2B	1.25	1.00	2.00	3.00
5K-10K	3/4-16 UNF-2B	1.25	1.00	3.50	4.75
15K	1-14 UNF-2B	1.50	1.25	4.00	5.50
20K	1 1/4-12 UNF-2B	2.12	2.00	5.00	7.00

BLH is continually seeking to improve product quality and performance. Specifications may change accordingly.

## Disclaimer

All product specifications and data are subject to change without notice.

Vishay Precision Group, Inc., its affiliates, agents, and employees, and all persons acting on its or their behalf (collectively, "Vishay Precision Group"), disclaim any and all liability for any errors, inaccuracies or incompleteness contained herein or in any other disclosure relating to any product.

Vishay Precision Group disclaims any and all liability arising out of the use or application of any product described herein or of any information provided herein to the maximum extent permitted by law. The product specifications do not expand or otherwise modify Vishay Precision Group's terms and conditions of purchase, including but not limited to the warranty expressed therein, which apply to these products.

No license, express or implied, by estoppel or otherwise, to any intellectual property rights is granted by this document or by any conduct of Vishay Precision Group.

The products shown herein are not designed for use in medical, life-saving, or life-sustaining applications unless otherwise expressly indicated. Customers using or selling Vishay Precision Group products not expressly indicated for use in such applications do so entirely at their own risk and agree to fully indemnify Vishay Precision Group for any damages arising or resulting from such use or sale. Please contact authorized Vishay Precision Group personnel to obtain written terms and conditions regarding products designed for such applications.

Product names and markings noted herein may be trademarks of their respective owners.